

Technical Data Sheet Of Connection Device

Model specification

Name	Factoty	Model	Standards
DB15 Connector	BEDE	BEDE-AISG-DB9	RoHS

Parameter

Name	Material	Plating
Plastic connector	PA66 UL94V-0	/
Size	41*22*25mm	/
Pinhole	brass	1.27um Ni bottom, gold plated contact 0.02-0.03um, fogging in the tail area Tin 2.5um

installation	Screw
Size	30.8(A)*25(B)*12.5(C)*2.29 (D)
Pins No.	15
Button	/
Operating temperature	-55℃~125℃
Rated voltage	/
Rated current	3A
Withstand voltage	1000VAC, 60s, 1mA
Insulation resistance	≥5000MΩ
Contact resistance	≤30mΩ
Contact form	welding
Lifetime	500 cycles
Storage conditions	Normal temperature and humidity, no corrosive gas environment
Storage time	5 years

Detecting size

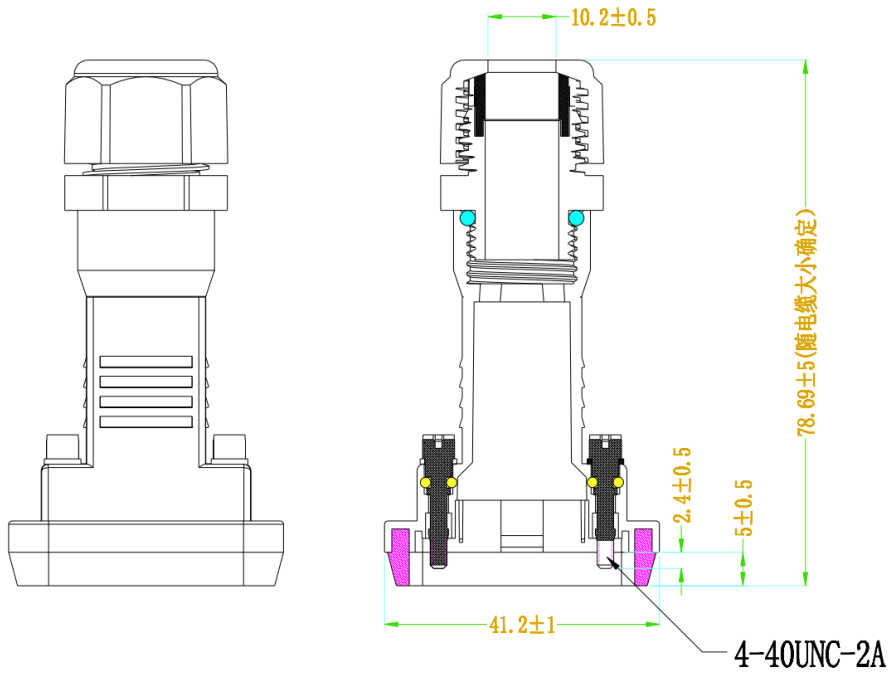
15PIN plug: 30.80±0.25, 25±0.2, 12.5±0.5, 2.29±0.25, 9.3±0.25;

DB shell 9PIN: 30.80 ± 0.3, 25 ± 0.13, 15.9 ± 0.2.

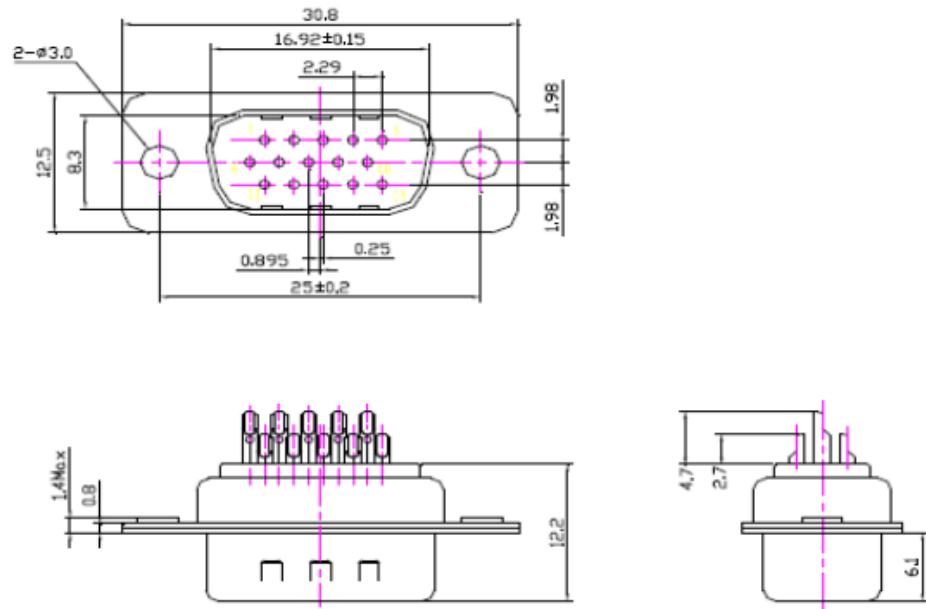
Other testing items

Insulation resistance: The minimum insulation resistance is 5000MΩ under normal conditions.

Withstand voltage: 1000VAC under normal conditions, leakage current is less than 1mA within 60s.



1: 1403 系列 15PIN 插头



Factory Address: 98 Industrial Area, Zhongxin Rd., Xinqiao Street, Bao'an District, Shenzhen, China
 Office Phone: +8675527084976 Mobile: +8618938686395
 Email: alicechu@szbede.com contact: Alice Chu



Shenzhen Bede Technology CO.,Ltd
